

Machines Manufacturer since 1948

FLANGING MACHINES





Manual flanging machines

Manual flanging machine SB3M

SB3M flanging machine is a ideal device for a building side. It can be installed on a bench or used with a scaffold support. Its adjustable apron can make the molding up to 70mm.
 SB3M-PLUS version is delivered with 6 sets of rolls (n° 3, 4, 5, 22/22, 24, 26).
 Other accessory: base with wheels for handling and 4 storage boxes.

Manual flanging machine SB5M

A new generation flanging machine with welded frame and processed shaft s offers a large frame overhang through its lower shaft integrated into the body.
 15 sets of rolls can be adjustable in option for this model.
 SB5M-PLUS version is delivered with 6 sets of rolls (n° 3, 4, 5, 22/22, 24, 26).
 Other accessory: base with wheels for handling and 4 storage boxes.

Features	SB3M	SB3M-PLUS	SB5M	SB5M-PLUS
Capacity for steel S235JR (mm)	0,8	0,8	1,2	1,2
Vertical center distance (mm)	45	45	52	52
Ø Rolls reaming	18	18	25	25
Frame overhang (mm)	70	70	200	200
Weight without base (kg)	9	9	34	34
Bench / scaffolding support	Included	Included	Included	Included
Base on wheels	Option	Option	Option	Option
Rolls	Option	N° 3,4,5, 22/22,24,et 26	Option	N° 3,4,5, 22/22, 24,et 26



SB3M installed on its base
(in standard)



SB5M (standard version)



SB3M equipped with scaffolding
support (in standard)



Base for SB3M and SB5M with wheels
and storage boxes (Option ref: SB-
socle)

Electric flanging machines

Electric flanging machines SB5 and SB7.

JOUANEL propose the electric flanging machines in 2 versions:

- Version with fixed speed (2 speeds depending on model)
- Version with variable speed controlled by pedal and limit button

To reverse the direction of rotation, there are two alternatives depending on the model:

- Model with a double button pedal
- Model with a single pedal and a reversing, 3 position switch (forward, 0, backward)

Features	SB5E2V2S	SB5EVV	SB7R	SB7RVV
Capacity for steel S235JR (mm)	1,2	1,2	2,0	2,0
Vertical center distance (mm)	52	52	82	82
Ø Rolls reaming	25	25	30	30
Frame overhang (mm)	200	200	260	260
Weight (kg)	72	72	175	175
Alimentation	240V mono	240V mono	400V tri	240V mono
Power supply	2 Fixed	Variable	1 Fixed	Variable
Rotation speed	Double	Simple	Double	Simple
Base	Included	Included	Monoblock	Monoblock
Rolls	Option	Option	Option	Option



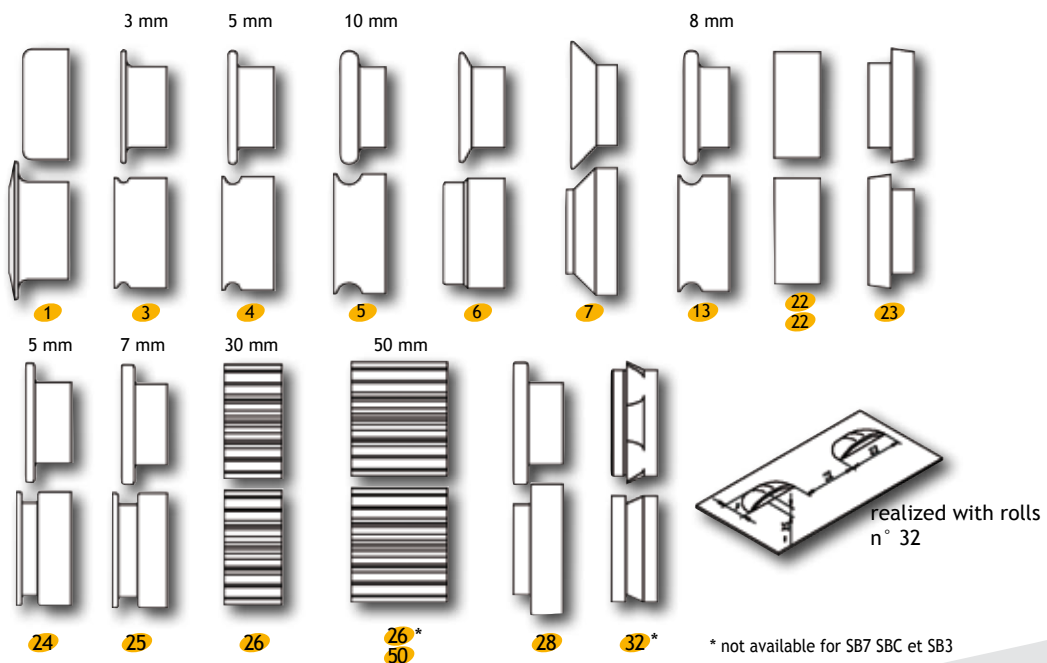
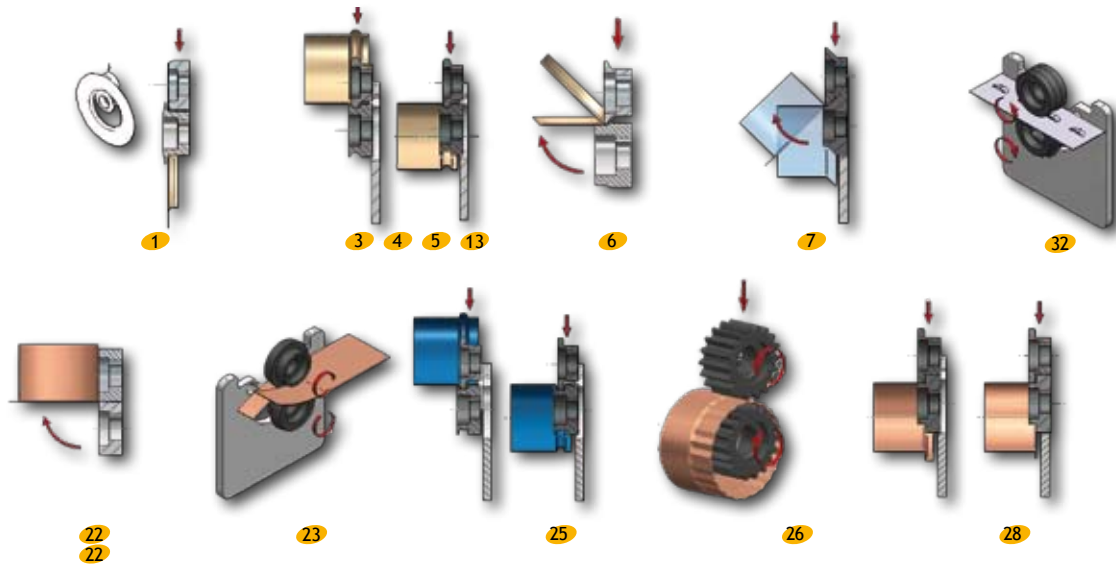
SB5EVV
(base included)



SB7RV

Rolls for flanging machines

Examples of use



Jouanel Industrie S.A. - Z.A. des Saulniers - 37 800 Sainte-Maure-de-Touraine - France - FR15331327072
 Tél. +33 247 65 40 67 - Fax : +33 247 65 51 61 - Email : info@jouanel.com - Website : www.jouanel.com

Dans le but constant d'amélioration de ses machines, Jouanel se réserve le droit d'en modifier à tout moment les caractéristiques.